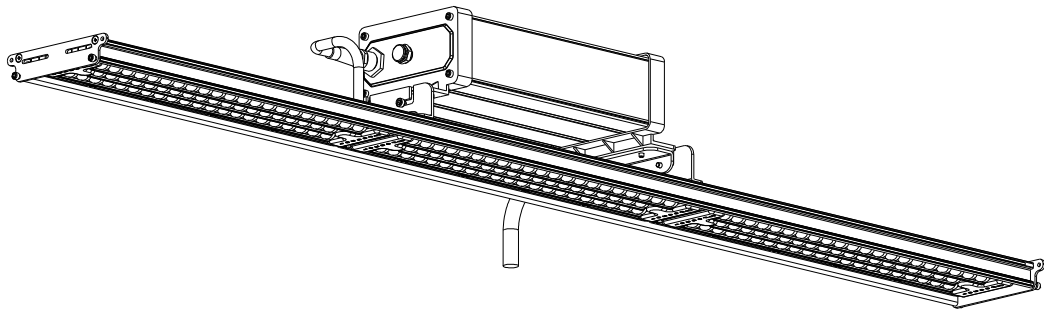


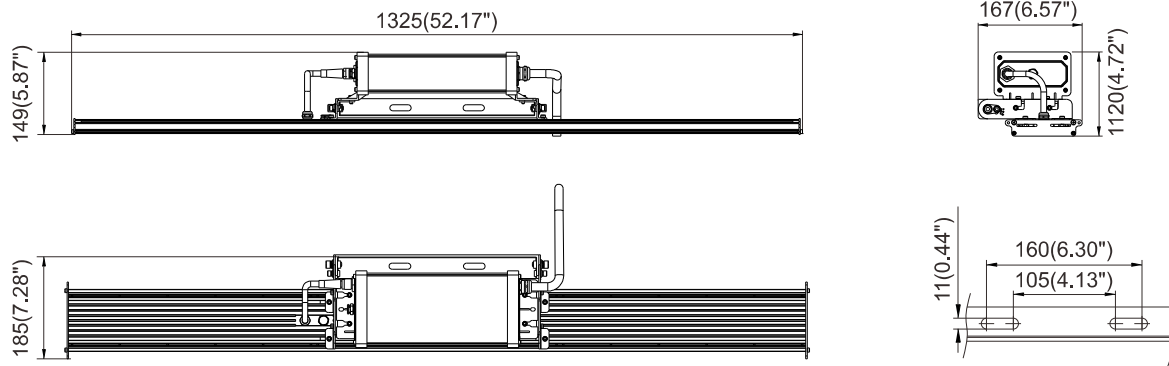
LED Sports Light

Installation Instructions



Physical Dimensions(Unit: mm/inch)

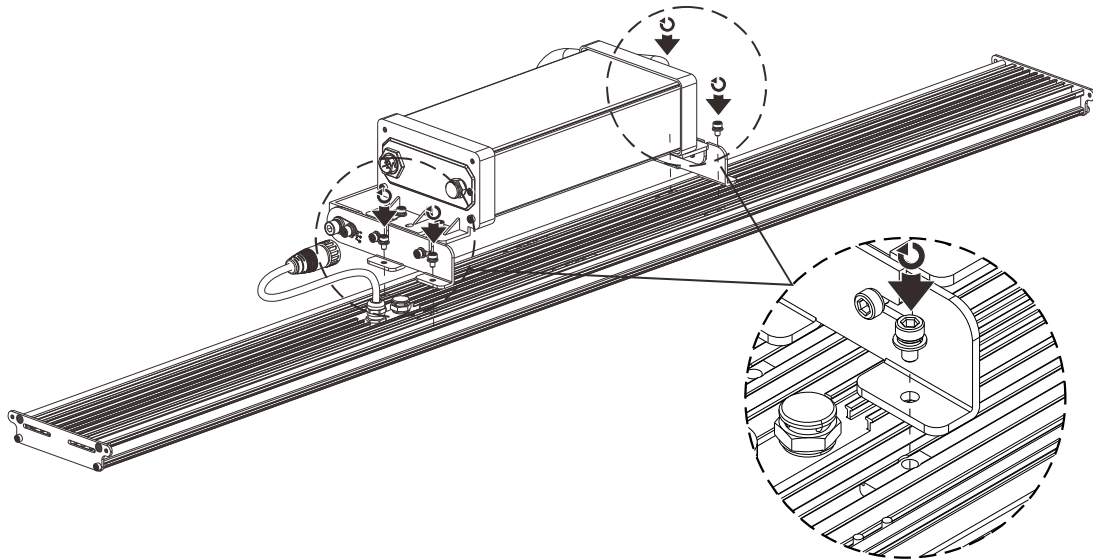
320W/240W Wattage Switchable



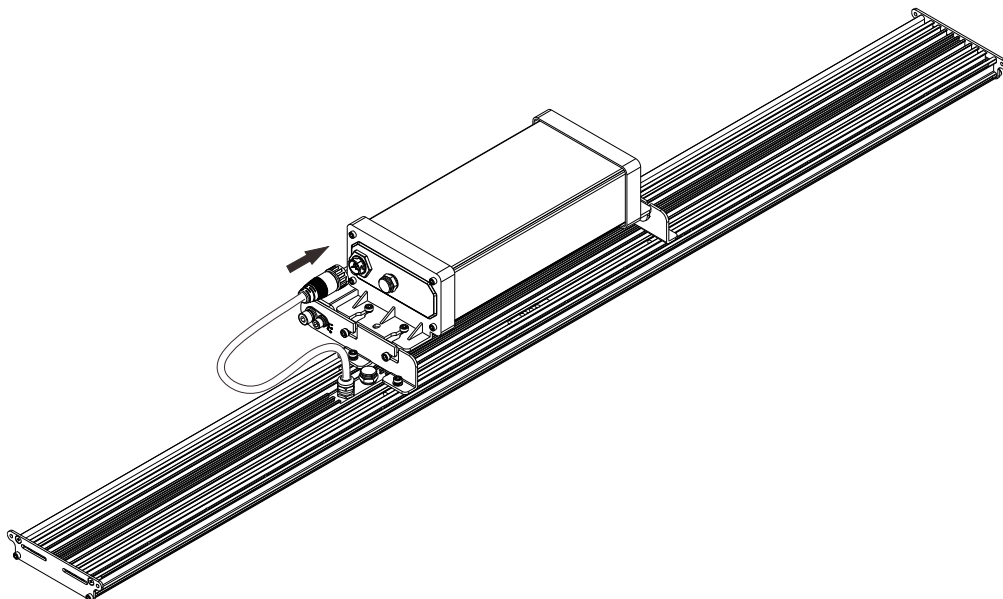
Driver Box Mount

1. ✕

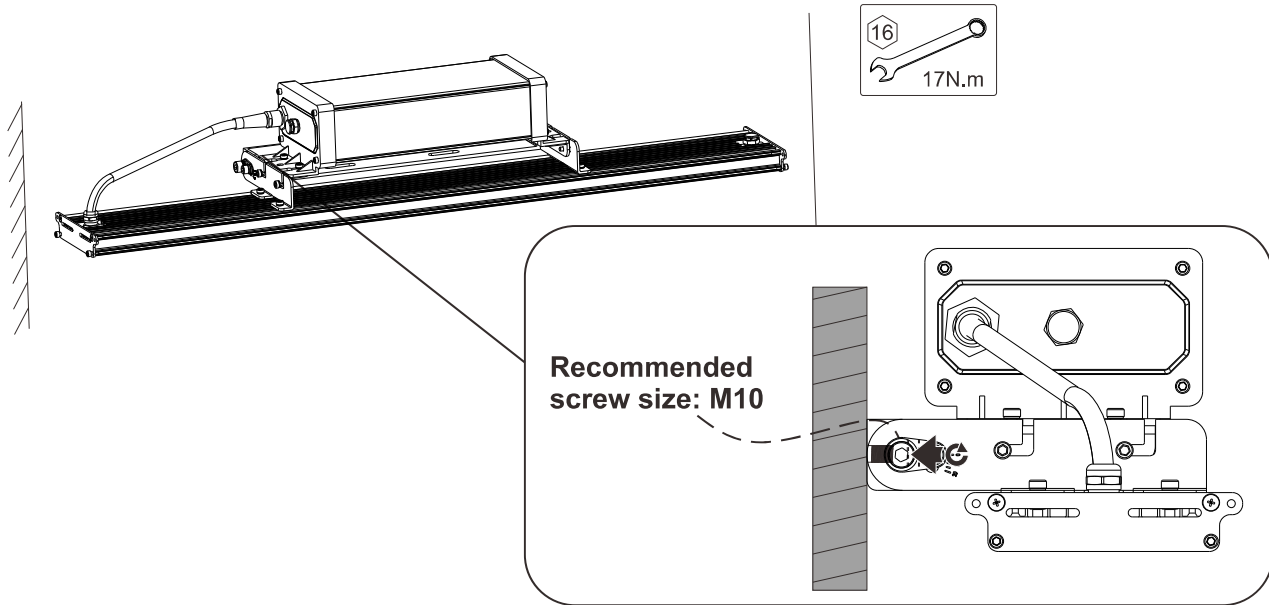
- M5
4PCS
- 4
2N.m



2. ✕

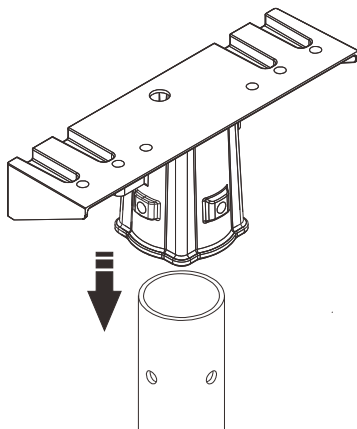


Bracket Mount

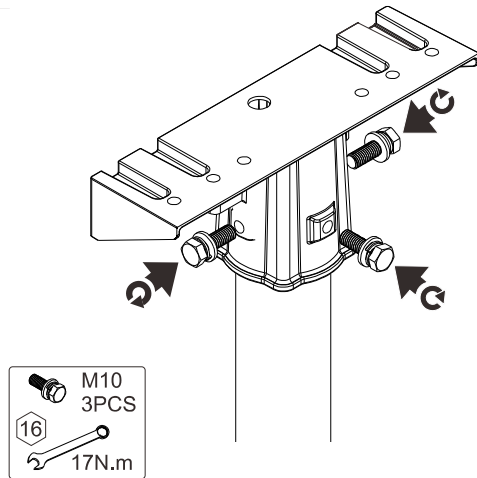


Pole Mount

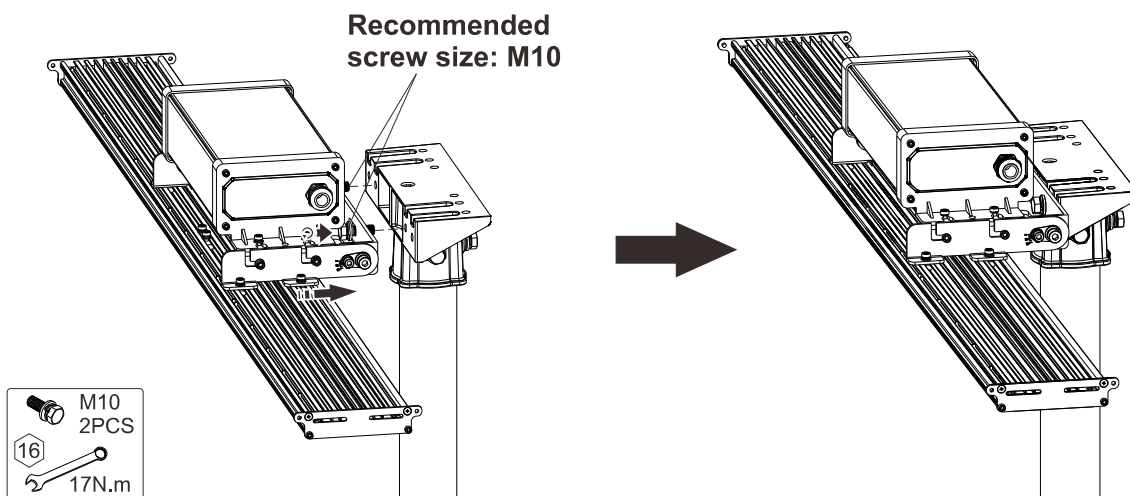
1. ✕



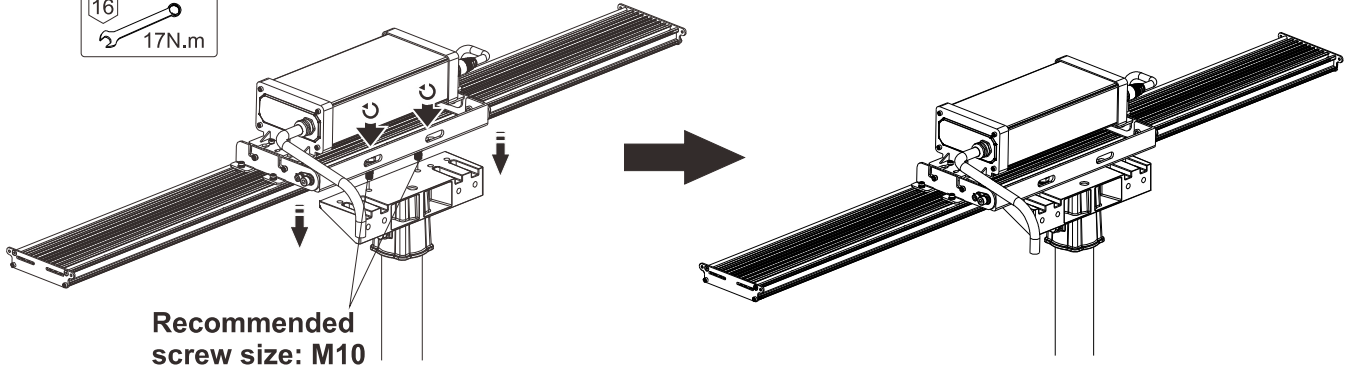
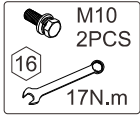
2. ✕



3. ✕ Option 1

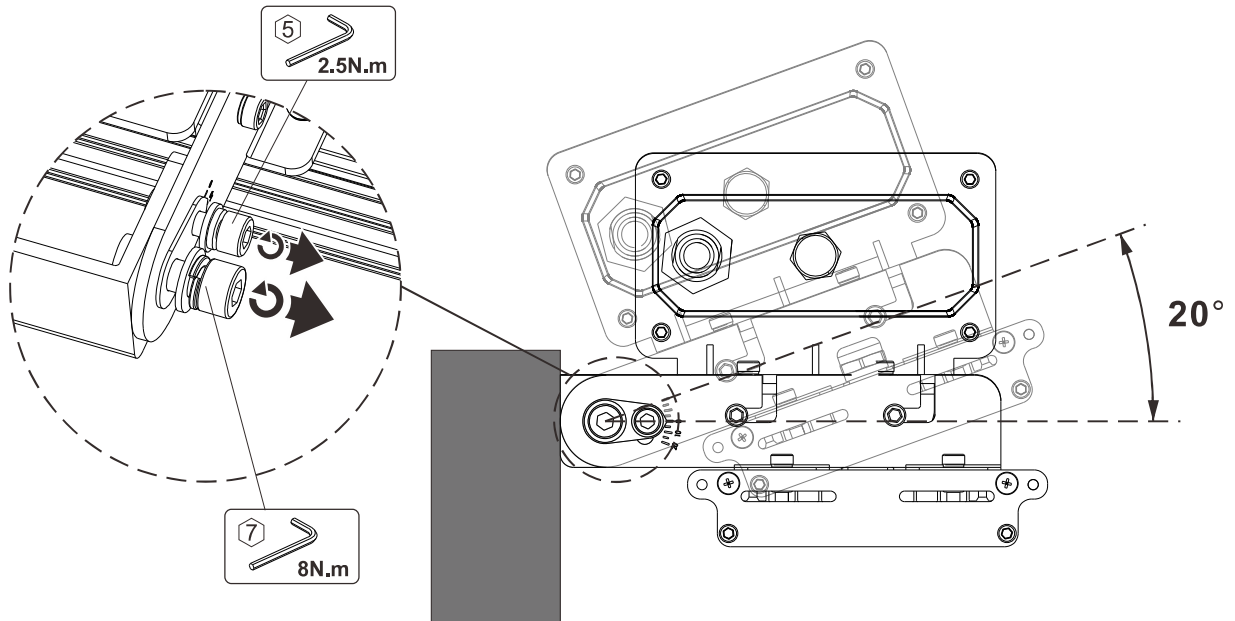


Option 2



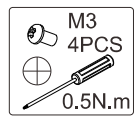
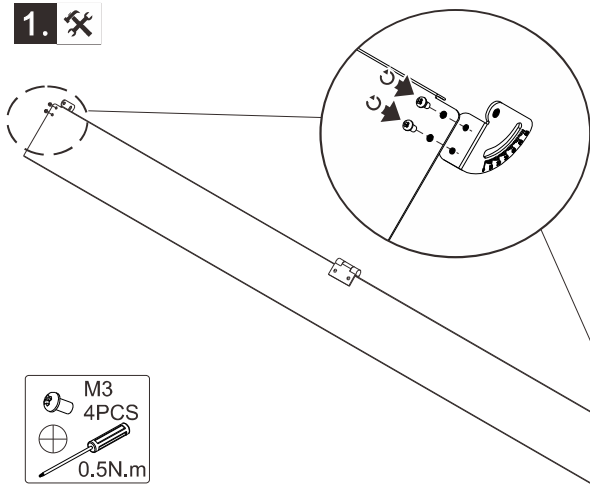
Recommended
screw size: M10

Rotatable Angle

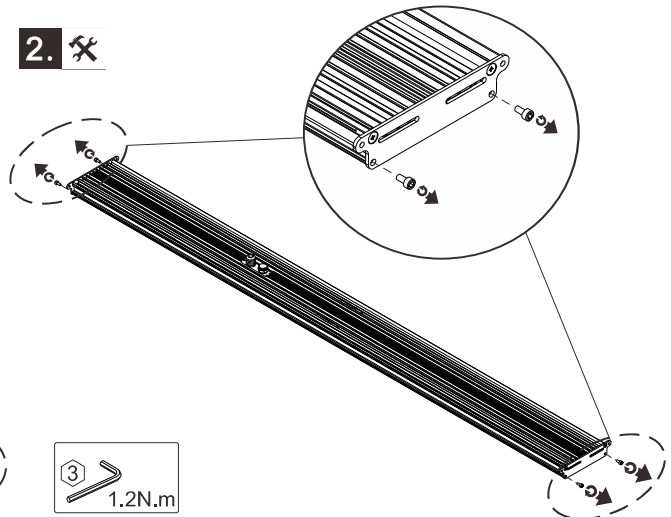


Front/Rear Visor Mount

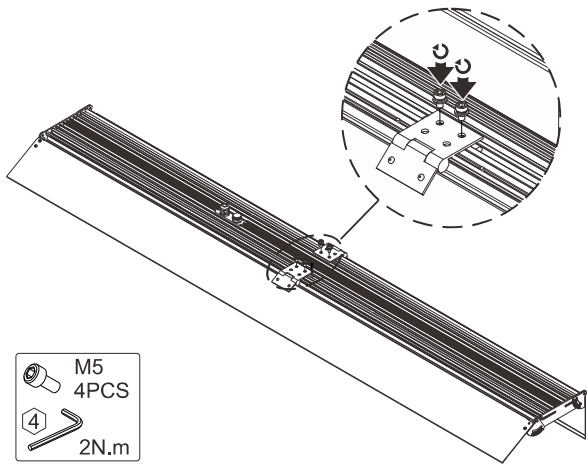
1. ✕



2. ✕

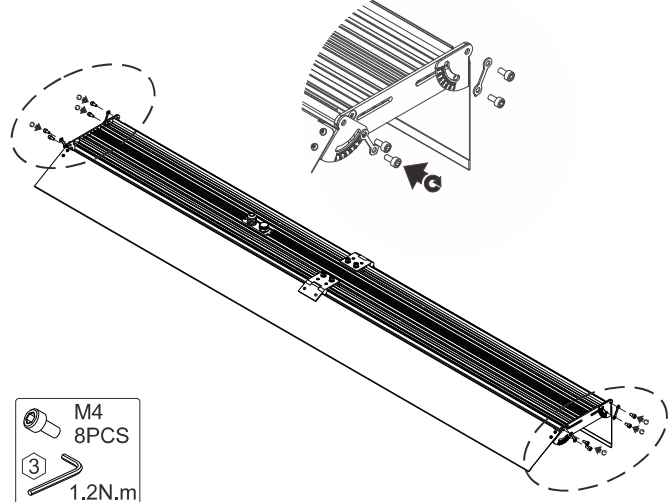


3. ✕



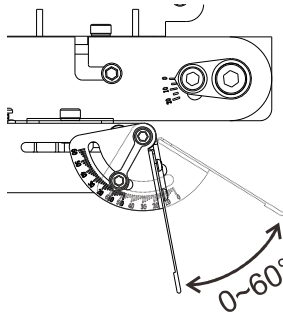
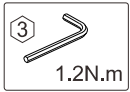
- M5
4PCS
- 4
2N.m

4. ✕

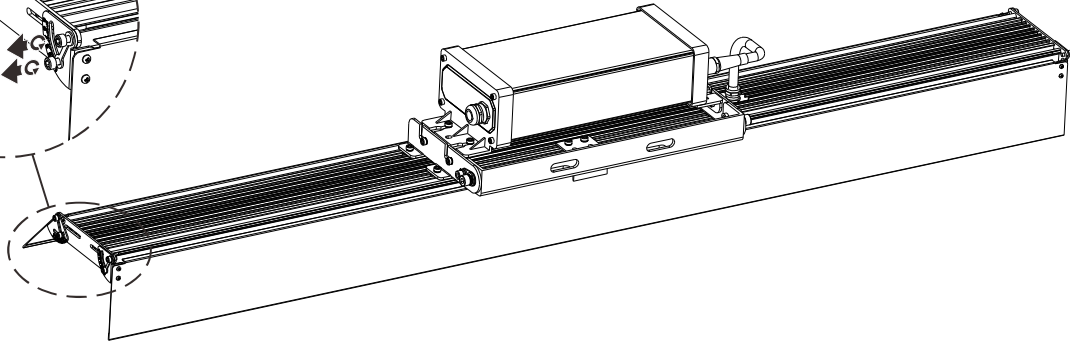
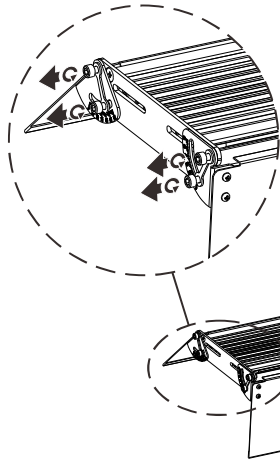


- M4
8PCS
- 3
1.2N.m

The angle of the visor can be adjusted after loosening the screws.

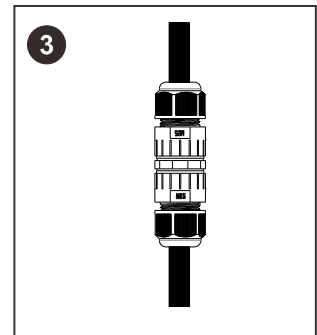
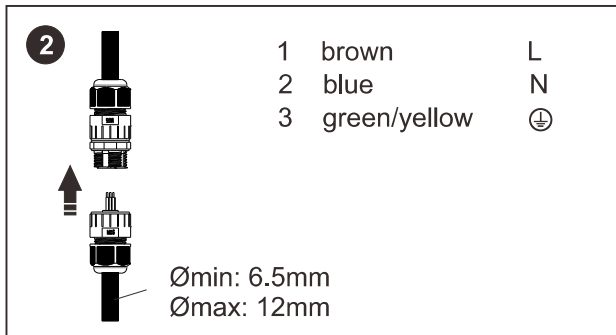
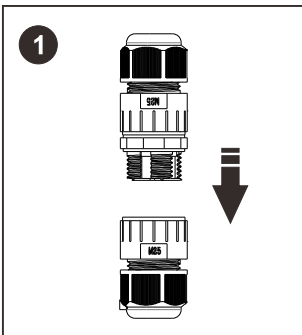
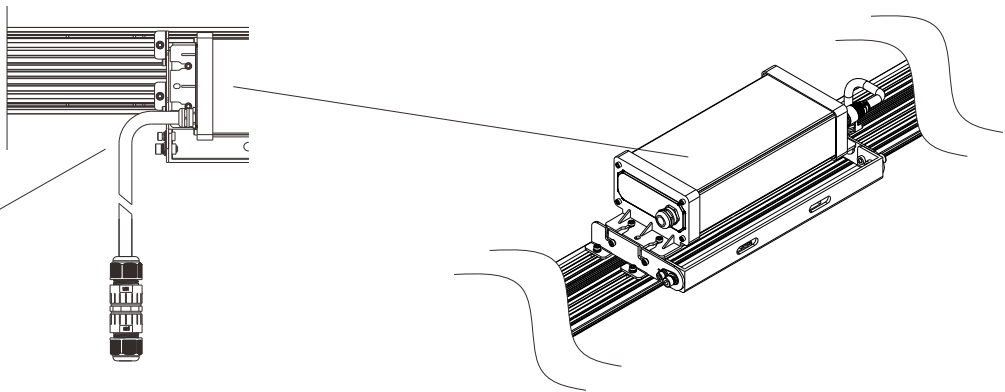


Front Visor suggest 45°
Rear Visor suggest 0°



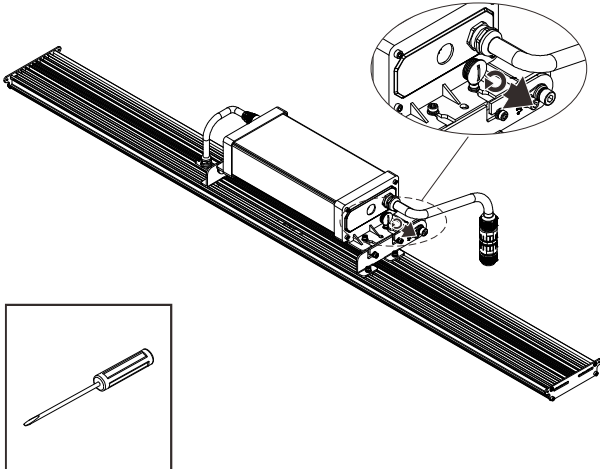
Wiring

AC Input

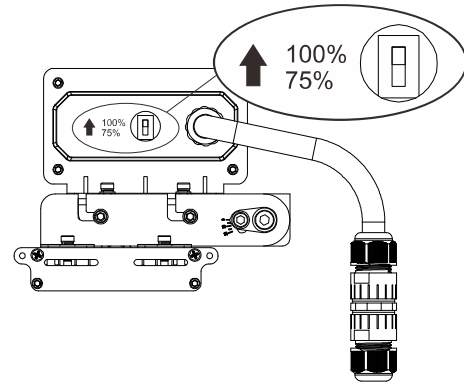


Power Selectable

1. ✕



2. ✕

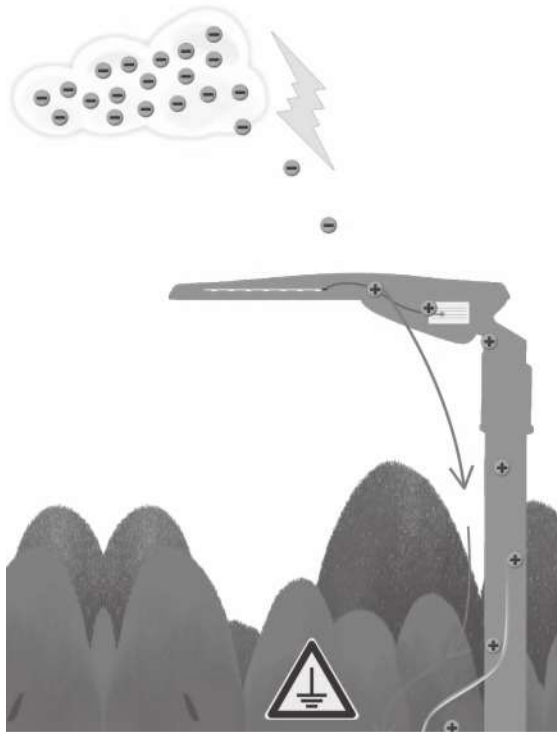


Precautions for Outdoor Lighting

Lightning is a common natural phenomenon. When the accumulation of electric charge in the thundercloud to a certain degree, air breakdown will occur to cause electrostatic discharge between the clouds, or between the cloud and the earth. Normally there are direct lightning and induction lightning, most LED luminaires damage caused by induction lightning, such as electrostatic induction or magnetic field induction.

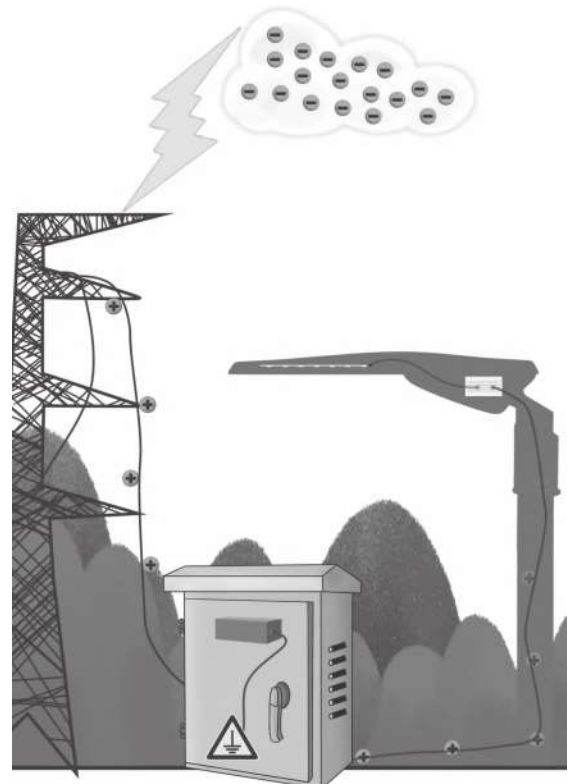
Below pretreatment can reduce lightning hazard, and extend luminaire lifetime.

1. LED luminaire should be effectively grounded



With effective grounding, the electric charge can be introduced to ground quickly

2. Install surge protector in power distribution box



The SPD can absorb most surge energy before luminaire